

## DS-1280ZJ-TR13

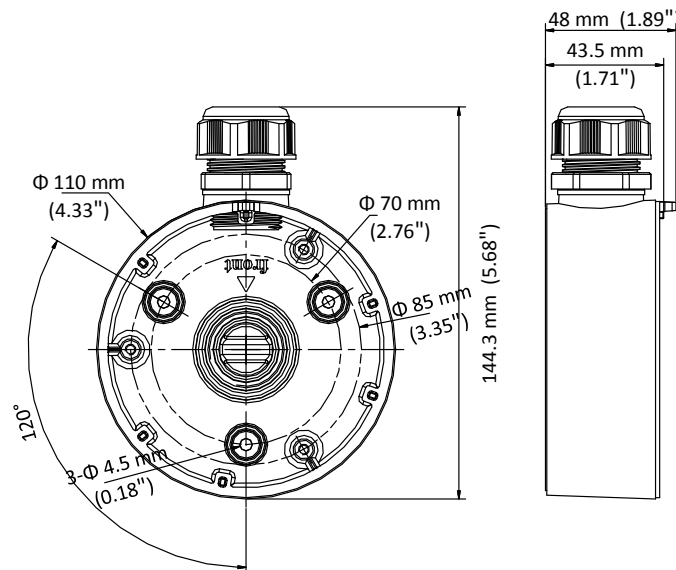
### Junction Box



#### Feature

- Adopts overall die-casting formation enables high intensity and reliability
- Applied to both indoor and outdoor conditions
- With cable outlet(s)

#### Dimension



#### Available Model

DS-1280ZJ-TR13

#### Parameter

Model	DS-1280ZJ-TR13
Parameters	Junction Box
Appearance	Hikvision White
Material	Aluminium Alloy
Dimension	$\Phi 110$ mm $\times$ 144.3 mm $\times$ 48 mm ( $\Phi 4.33$ " $\times$ 5.68" $\times$ 1.89")
Weight	Approx. 187 g (0.41 lb.)

#### Notes

- The junction box should be installed on a flat surface.
- The waterproof rubber is necessary for the outdoor application.
- The wall should be capable of supporting at least 3 times as much as the total weight of the camera, and the junction box.
- The maximum load capacity of the junction box is 1 kg (2.20 lb.).